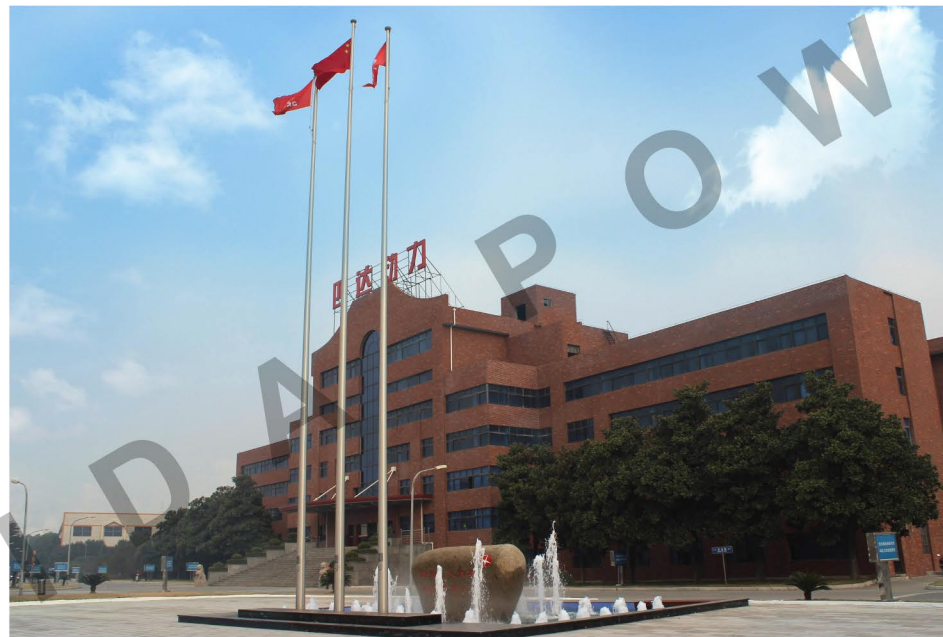


Q 系列柴油机零件图册  
PARTS CATALOGUE FOR Q Series DIESEL ENGINE



江苏四达动力机械集团有限公司  
JIANGSU SIDA POWER MACHINERY GROUP CO. LTD

## 前 言

敬爱的用户，江苏四达动力机械集团有限公司衷心感谢您对本公司产品的关心和厚爱。我们祝贺您和贵单位兴旺发达，事业顺利。在您使用本图册时，请注意以下说明。

1. 本图册汇编了我公司 Q 系列柴油机零部件件号、名称和每台数量，以方便您订购备配件，了解柴油机各零部件的结构和装配关系。

2. 为了使图册简明扼要便于查阅，编写时制订了如下原则：

2.1 由于机型的部分零件不尽相同，本图册图型只按 Q 系列型列出，其外形作为参考，您购买配件时要严格按照零件号购买。

2.2 机油泵、机油滤清器、柴油滤清器、喷油器，喷油泵、发电机、起动机等厂外购件，本图册只列出其总成名称和件号：

3. 为了使您订购柴油机零部件不致有误，订购时请注明下列内容：

3.1 柴油机的型号、出厂编号和出厂日期；

3.2 所订零部件的件号、名称、数量。

4. 随着产品的不断改进，实际产品的部分零部件与本图册所表达的结构形状、件号可能会有出入，请您注意。

## PREFACE

Dear users:

We herewith express our sincere gratitude for your concerns and preferences for our products. Please pay attention to the following remarks before using this catalogue.

1. This catalogue, covering various models of Q series diesel engines, in terms of part number, description and quantity per engine, can offer you not only the convenience in ordering parts but also the ease in understanding the structure and assembly of all components.

2. To facilitate the searching, the following rules are used to compile for simplicity of the catalogue:

2.1 Some components in the said Q series models are not exchangeable, e.g. the front mounting, intake pipe. This catalogue only provides the drawings of Model Q series. For those corresponding components of different structure but with the same function of the other, other models, this catalogue their part numbers, descriptions and quantities.

2.2 Those purchased parts, including oil pump, oil filter, fuel filter; injector, generator and starter etc. are only shown in profile of their assembly and assembly number.

3. The following items should be clarified in the order for correct delivery of needed components:

3.1 Model, exworks number and exworks date of the engine.

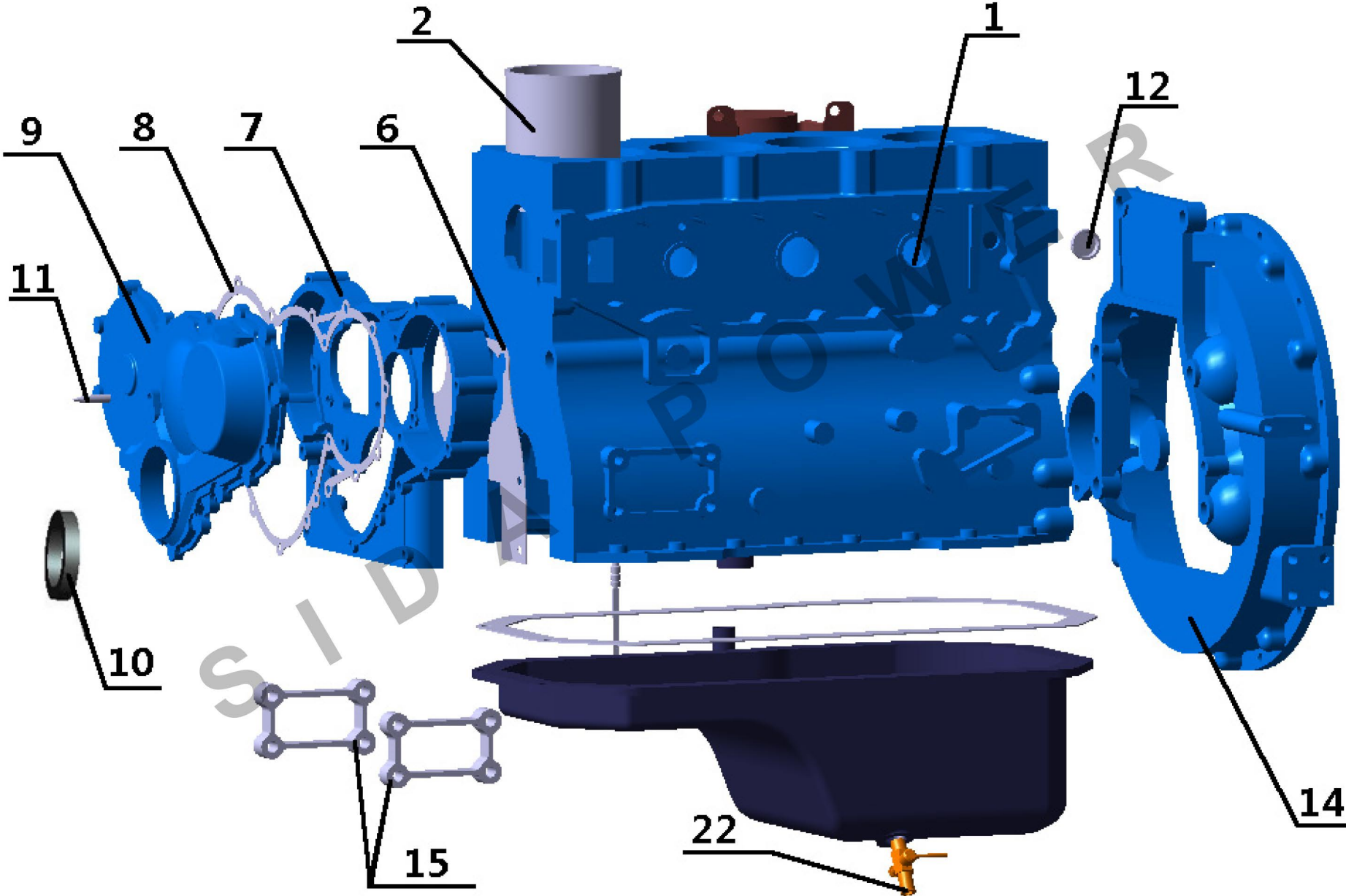
3.2 Part number, description and quantity of demanded components.

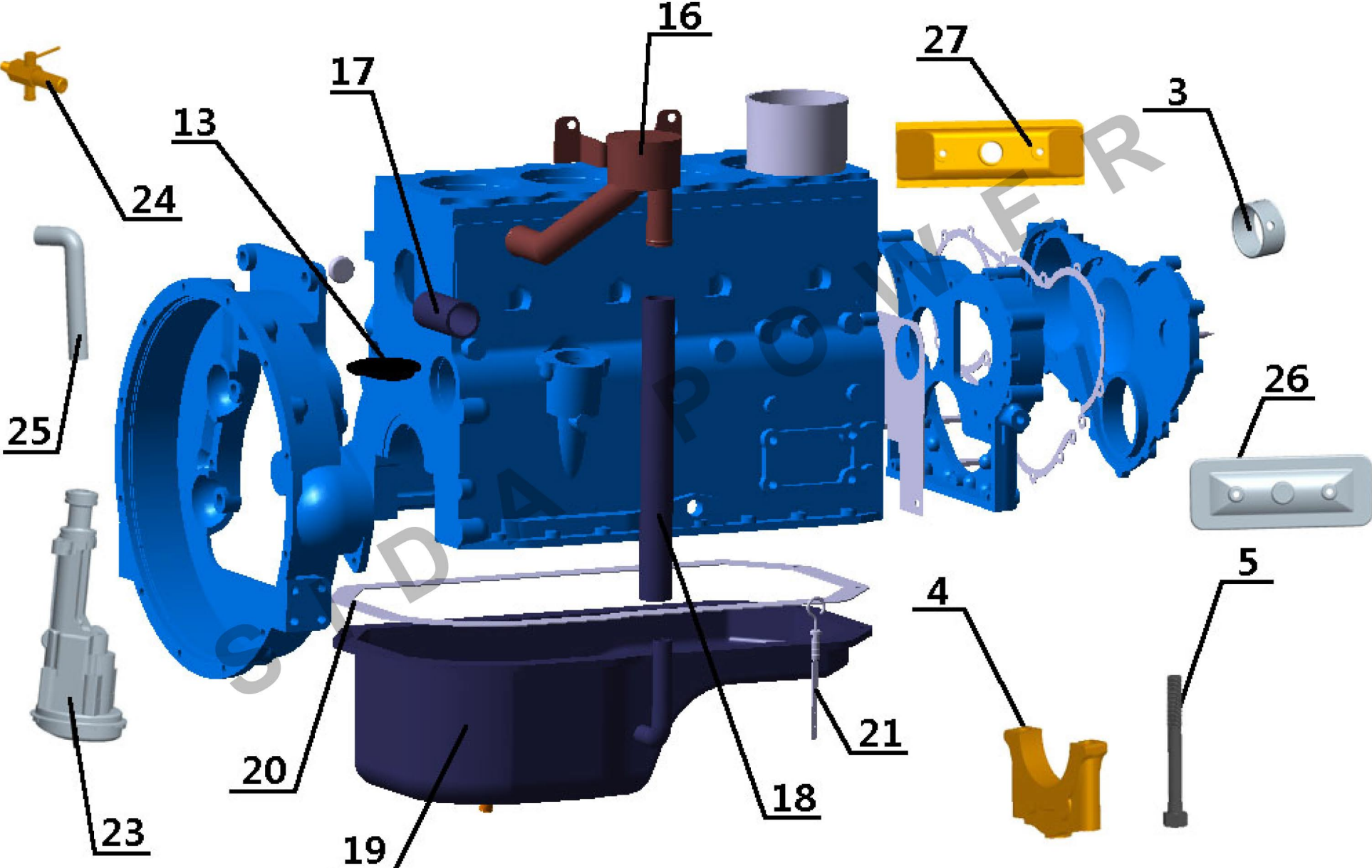
4. with the continuous improvement of products, structure and parts numbers of some parts are subject to change. Please pay attention to this.

## 目录 (CONTENTS)

1、气缸体组件	Cylinder Block Assy -----	(04)
2、气缸盖组件	Cylinder Head Assy -----	(10)
3、活塞、连杆组件	Piston、connecting Rod Assy -----	(14)
4、曲轴、飞轮组件	Crankshaft、Flywheel Assy -----	(17)
5、配气机构	Admission gear Assy -----	(20)
6、传动系统	Gear Train -----	(23)
7、进、排气管组件	Intake and Exhaust Manifold Assy -----	(26)
8、润滑系统总成	Lubricating System Assy -----	(29)
9、燃油系统总成	Fuel System Assy -----	(32)
10、冷却系统总成	Cooling System Assy -----	(35)
11、电器系统总成	Electric System Assy -----	(38)

1. 气缸体组件  
Cylinder Block Assy





气缸体组件(机体、飞轮壳及油底壳部分)

序号 NO.	部件代号 Code	部件名称 Name	数量 Qty.	适用车型 Vehicle model	备注 Remarks
1	1002014-2_Q	气缸体 Cylinder block	1		
1-1	1002236_Q	主油道堵塞 Blockage of main oil	2		1002014-2_Q
2	1002016-2_Q	气缸套 Cylinder liner	4		
3	1006024_Q	前凸轮轴衬套 Front axle bushing	1		
3-1	1006025_Q	中间凸轮轴衬套 Middle axle bushing	1		
3-2	1006028_Q	后凸轮轴衬套 rear camshaft bushing	1		
4	1005141_Q	前主轴承盖 Front Main Bearing Cover	3		
4-1	1005142_Q	中间主轴承盖 Middle Main Bearing Cover	1		
4-2	1005143_Q	第五主轴承盖 Fifth main bearing cap	1		
5	1005144_Q	主轴承盖螺栓 Main bearing cap bolt	10		
6	1002072-1_Q	齿轮室垫片 Gasket-gear casing	1		
7	1002071_Q38D	齿轮室 Gear casing	1		
7-1	Q5211022	圆柱销 Cylindrical pin	2		
8	1002074-1_Q	齿轮室盖垫片 Gear casing cover casing	1		
9	1002073LS_Q	齿轮室盖 Gear casing cover	1		
9-1	1002076_Q	提前器盖 Advance cover	1		1002073LS_Q
9-2	1111019_Q	过渡盖垫片 Transition cover gasket	1		1002076_Q
9-3	Q1460855	六角头螺栓 Hexagon headed bolt	3		1002073LS_Q
9-4	Q1460855	六角头螺栓 Hexagon headed bolt	4		1002073LS_Q

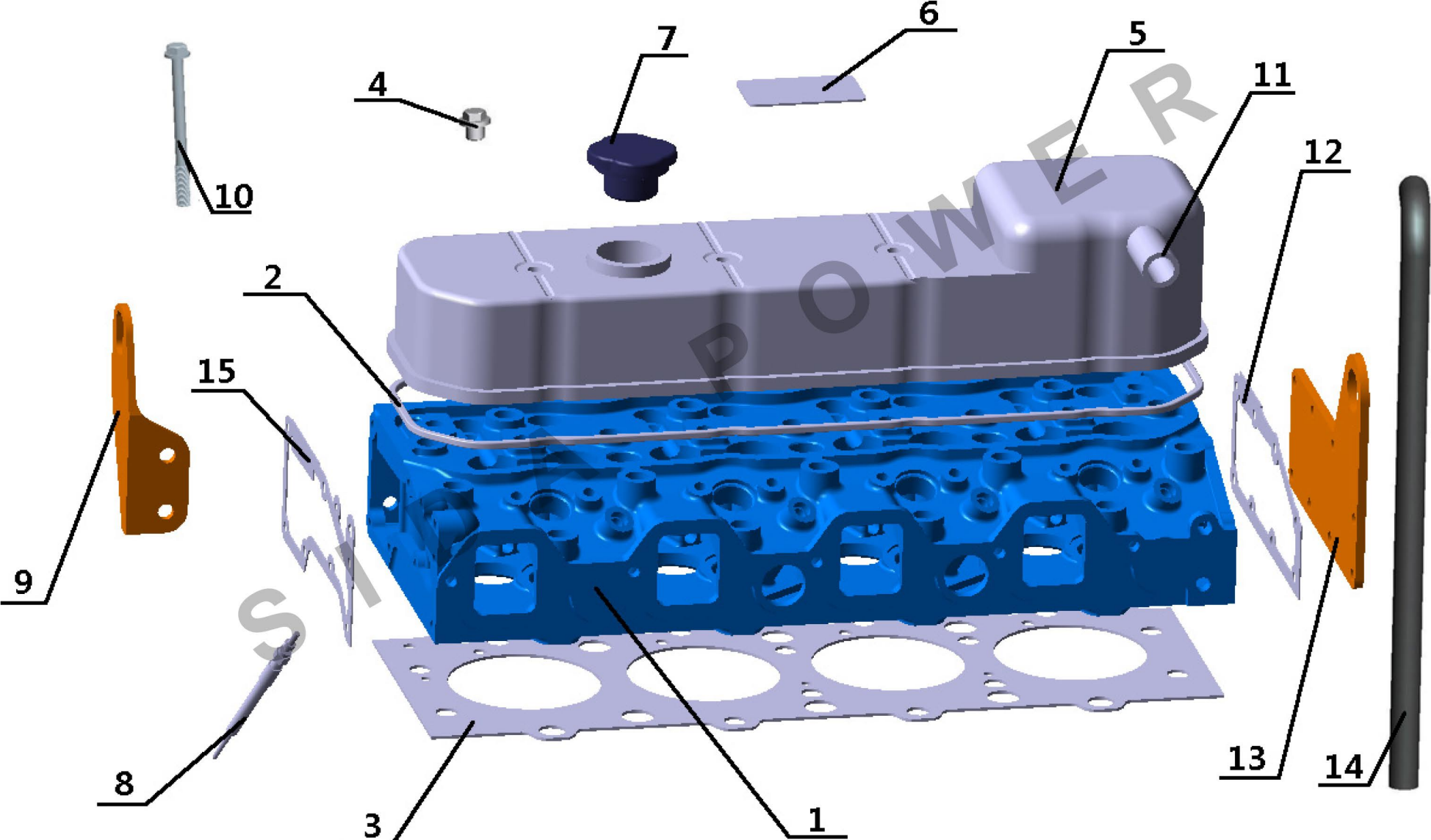
Jiangsu SIDA Power Machinery Group CO., LTD.

序号 NO.	部件代号 Code	部件名称 Name	数量 Qty.	适用车型 Vehicle model	备注 Remarks
9-5	Q1460870	六角头螺栓	Hexagon headed bolt	2	1002073LS_Q
9-6	Q1460820	六角头螺栓	Hexagon headed bolt	2	1002076_Q
9-7	Q1460825	六角头螺栓	Hexagon headed bolt	6	1002076_Q
10	1005050-1_Q	前油封	Crankshaft front oil seal	1	1002073LS_Q
11	1002079_Q	指针	Pointer	1	
12	1002036_QZL	碗形塞片	Bowl-shaped patch	3	
12-1	1002037Y_Q	堵盖	Blocking	1	
13	1002041_Q	机油泵轴承盖	Bearing Cover of Oil Pump	1	
13-2	1002042_Q	机油泵轴承盖密封圈	Sealing Ring of Bearing Cover of Oil Pump		
14	1002061-2_Q68L-99	飞轮壳	Flywheel housing	1	
15	1001030_Q38D	支撑垫板	Supporting cushion plate	2	
16	1014020-1_Q	呼吸器总成	Respirator assembly	1	
17	1014018_Q	橡胶接管	Rubber nozzle	1	
18	1014019_Q	透气接管	Breathable nozzle	1	
19	1009010S_Q38D	油底壳总成	Oil sump assy	1	
19-1	1009022/W	放油螺塞	Oil discharge screw plug	1	
20	1009031-2_Q	油底壳密封垫片	Oil sump gasket	1	1009010S_Q38D
20-1	Q1460825	六角头螺栓	Hexagon headed bolt	28	1009010S_Q38D
21	1009070-3_QL-01	机油标尺总成	Dipstick sleeve assy	1	
22					主机自配

Jiangsu SIDA Power Machinery Group CO.,LTD.

序号 NO.	部件代号 Code	部件名称 Name	数量 Qty.	适用车型 Vehicle model	备注 Remarks
23	1011010-1_QZL	机油泵总成 oil pump assembly	1		
23-1	1011016_Q	垫片 Shim	1		1011010-1_QZL
23-2	1011030_Q	机油泵驱动齿轮衬套 Driving gear bushing of oil pump	1		1011010-1_QZL
23-3	Q1460822	六角头螺栓 Hexagon headed bolt	2		1011010-1_QZL
23-4	Q1461035	六角头螺栓 Hexagon headed bolt	2		1011010-1_QZL
24	1305010_H21D	放水开关 Drainage switch	1		
25	1305018_AE29A	连接软管 Connecting hose	1		
25-1	Q676B22	C型环箍 C-type hoop	1		
26	1002092L_M	上侧盖板 Upper side cover plate	1		
26-1	1002098L_M	上侧盖板垫片 Upper cover gasket	1		
26-2	Q1461070	六角头螺栓 Hexagon headed bolt	2		
27	1002093_Q	后顶杆室盖 Rear ejector chamber cover	1		
27-1	1002096_Q	顶杆室盖垫片 Top rod chamber cover	1		
27-2	Q1460870	六角头螺栓 Hexagon headed bolt	2		

2. 气缸盖组件  
Cylinder Head Assy



气缸盖组件

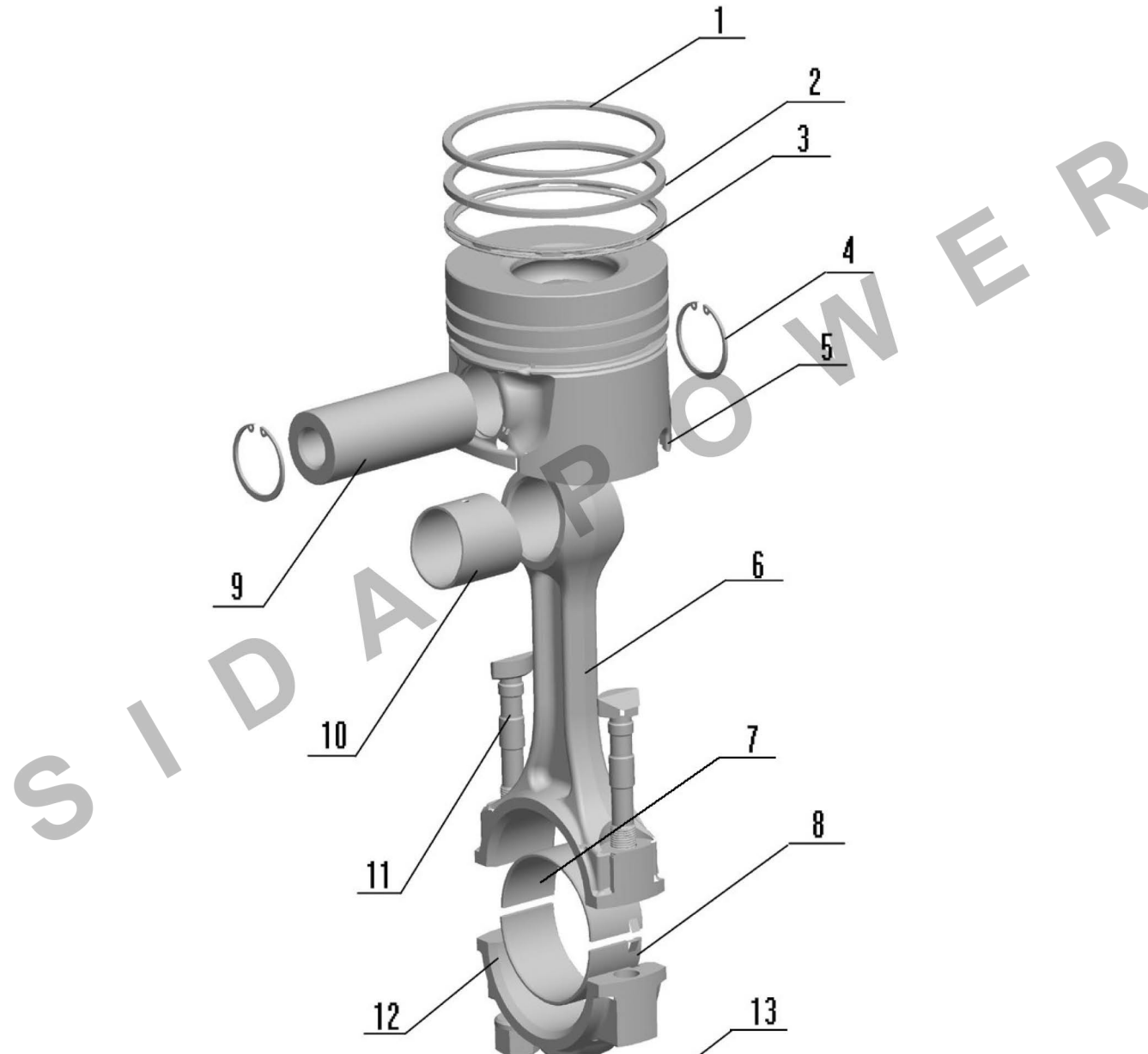
序号 NO.	部件代号 Code	部件名称 Name	数量 Qty.	适用车型 Vehicle model	备注 Remarks
1	1003100-1_Q	气缸盖 Cylinder head	1		
2	1003032-1_Q	垫密条—气缸盖罩 Rubber sealing	1		
3	1003022-1_QZ	气缸垫 Cylinder gasket	1		
4	Q394B08	气缸盖罩螺母 Cylinder head cover nut	4		
4-1	1003034-1_Q	组合垫圈 Composite gasket	4		Q394B08
5	1003030-2_QZ	气缸盖罩 Cylinder head cover	1		
6	1003038-2_QZ	铭牌 Engine nameplate	1		
6-1	Q5410206	铭牌柳钉 Nail Nails	4		
7	1003033_QZ	加机油口盖 Oil filler cover	1		
7-1	1003036_QZ	加机油口盖密封圈 Oil Gate Cover Sealing Ring	1		
8	3750010-2_Q	电热塞 Electric plug	4		
8-1	3750011_Q	电热塞连接片 Electric Plug Connector	1		
9	1003057_AQ-35	前吊耳 Anterior suspender	1		
9-1	Q1461025	六角头组合螺栓 Hexagonal head combined	2		
10	1003046_46	气缸盖长螺栓 Cylinder head Long bolt	14		1003100-1_Q
10-1	1003046_47	气缸盖短螺栓 Cylinder head Short bolt	4		1003100-1_Q
11	1003059_QZ	透气接管 Breathable nozzle	1		
12	1003013_Q	缸盖后盖板垫片 Cylinder head back cover	1		
13	1003014_Q	缸盖后盖螺母 Cylinder head back cover nut	1		

序号 NO.	部件代号 Code	部件名称 Name	数量 Qty.	适用车型 Vehicle model	备注 Remarks
13-1	Q1460820	六角头组合螺栓 Hexagonal head combined	8		
14	1005058_QZ	出气管 Outlet trachea	1		
14-1	Q67638	B型环箍 B-type hoop	1		
15	1003014_Q	缸盖前盖板垫片 Cylinder head front cover	1		

SIDA POWER

### 3. 活塞、连杆组件

Piston、connecting Rod Assy

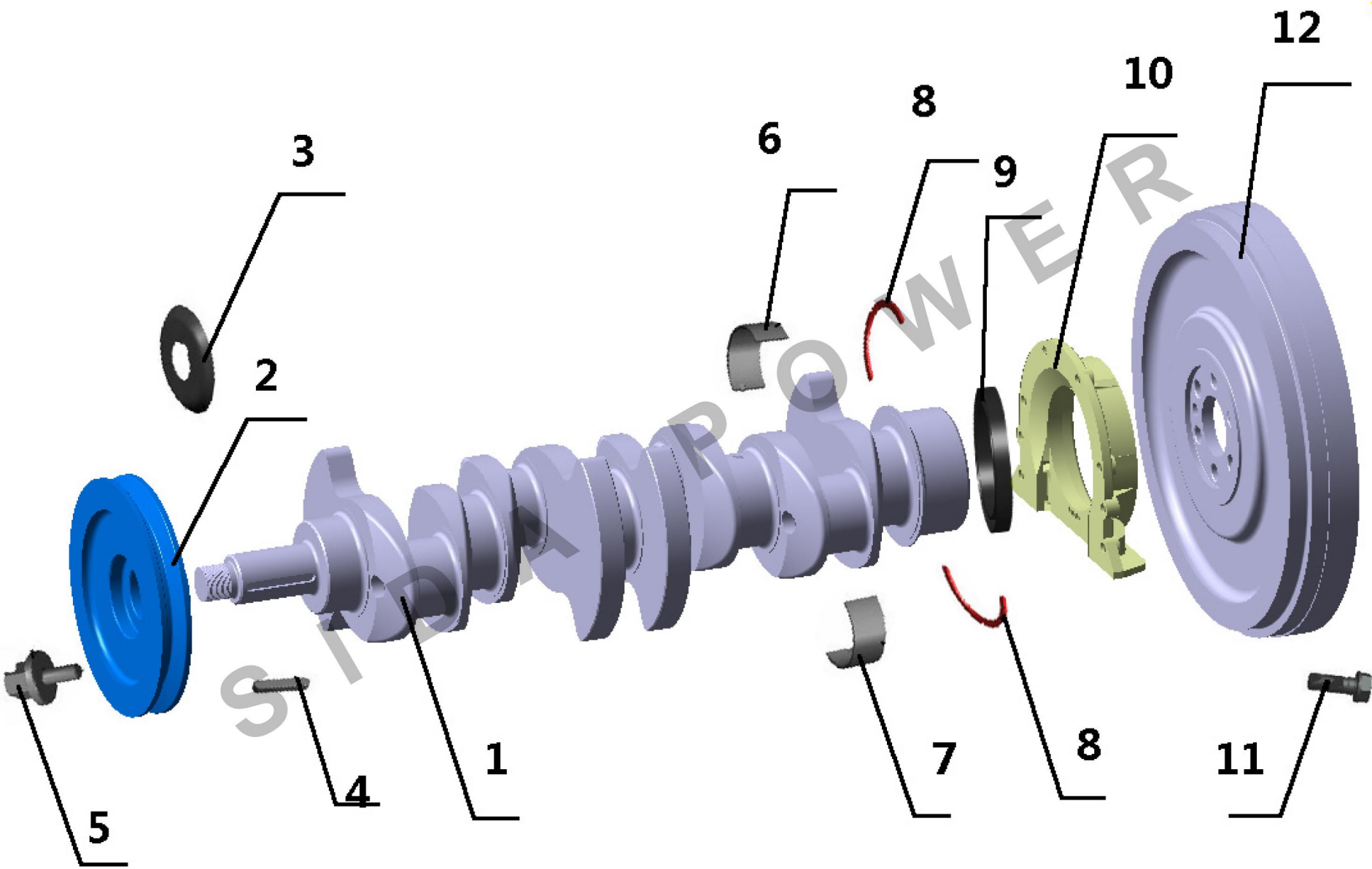


活塞连杆组件

序号 NO.	部件代号 Code	部件名称 Name	数量 Qty.	适用车型 Vehicle model	备注 Remarks
1	1004012Z_Q	第一道气环	4		
2	1004013Z_Q	第二道气环	4		
3	1004020Z_Q	油环总成	4		
4	Q40308	活塞销卡簧	8		
5	1004011-1_Q	活塞	4		
6	1004021Y_Q	连杆体	4		
7	1004026-2_Q	连杆上轴瓦	4		
8	1004026-2_Q	连杆下轴瓦	4		
9	1004018-1_Q	活塞销	4		
10	1004024Y_Q	连杆小头衬套	4		
11	1004023Y_Q	连杆螺栓	8		
12	1004022Y_Q	连杆盖	4		
13	/	连杆螺母	8		

4. 曲轴、飞轮组件  
Crankshaft、Flywheel Assy

SIDA POWER



曲轴飞轮组件

序号 NO.	部件代号 Code	部件名称 Name	数量 Qty.	适用车型 Vehicle model	备注 Remarks
1	1005014-2_Q	曲轴 Crankshaft	1		
1-1	Q5221224	圆柱销 Cylindrical pin	1		1005014-2_Q
2	1005046_Q38D	减震器总成 Absorber assy	1		
3	1005036_Q	甩油盘 Drop oil pan	1		
4	1005022_Q	曲轴平键 Crankshaft flat key	1		
5	1005047_Q	起动爪螺母 Washer-starter nut	1		
6	1005161_Q	上主轴瓦 Main bearing shell upper half	5		
7	1005162_Q	下主轴瓦 Main bearing shell lower half	5		
8	1005181/182_Q	止推片 Thrust plate	1		
9	1005060-1_Q	曲轴后油封 Crankshaft rear oil seal	1		
10	1005061-2_Q	后油封座 Rear oil seal	1		
11	1005123-1_Q	飞轮螺栓 Bolt-flywheel	6		
12	1005121_Q38D	飞轮 Flywheel	1		
12-1	1005122-1_P	飞轮齿圈 Flywheel ring	1		1005121_Q38D

## 5. 配气机构

Admission gear Assy

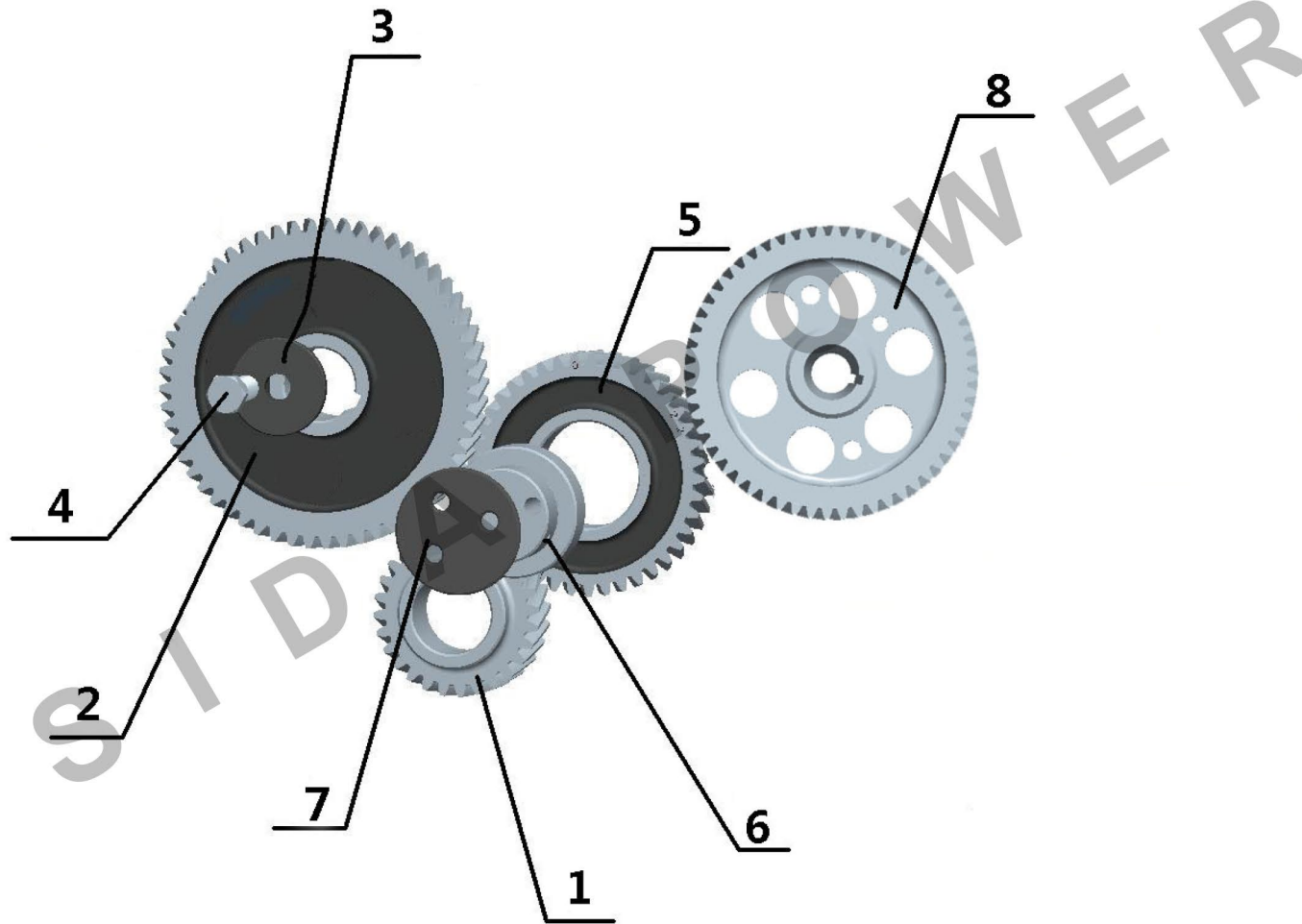
SIDA POWER

配气机构

序号 NO.	部件代号 Code	部件名称 Name	数量 Qty.	适用车型 Vehicle model	备注 Remarks
1	1007090_Q	摇臂总成 Rocker Arm Assembly	1		
1-1	1007117_Q	摇臂座螺栓 Rocker seat bolt	2		1007090_Q
1-2	1007128_QZ	摇臂座短螺栓 Short bolts for rocker seat	3		1007090_Q
1-3	1007129_QZ	摇臂座螺栓 Rocker seat bolt	1		1007090_Q
1-4	Q341B08	I型薄螺母 Type I thin nut	6		1007090_Q
2	1007051-1_Q	推杆 Push rod	8		
3	1007061_Q	挺柱 Tappet	8		
4	1007028-1_Q	气门锁夹 Valve split collet	16		
5	1007024_Q	气门弹簧座 Valve spring seat	8		
6	1007021_Q	气门外弹簧 Outside Valve spring	8		
7	1007022_Q	气门内弹簧 Inside Valve spring	8		
8	1007011_Q	进气门 Intake valve	4		
9	1007016S-1_Q78L-72	排气门 Exhaust valve	4		
10	1006015_Q	凸轮轴 Camshaft	1		
11	Q5510820	平键 Woodruff key	1		
12	1006018_Q	凸轮轴压板 Thrust plate of camshaft	1		
12-1	Q150B0820	六角头面螺栓 Six head flange bolts	2		1006018_Q

6. 传动系统  
Gear Train

SIDA POWER

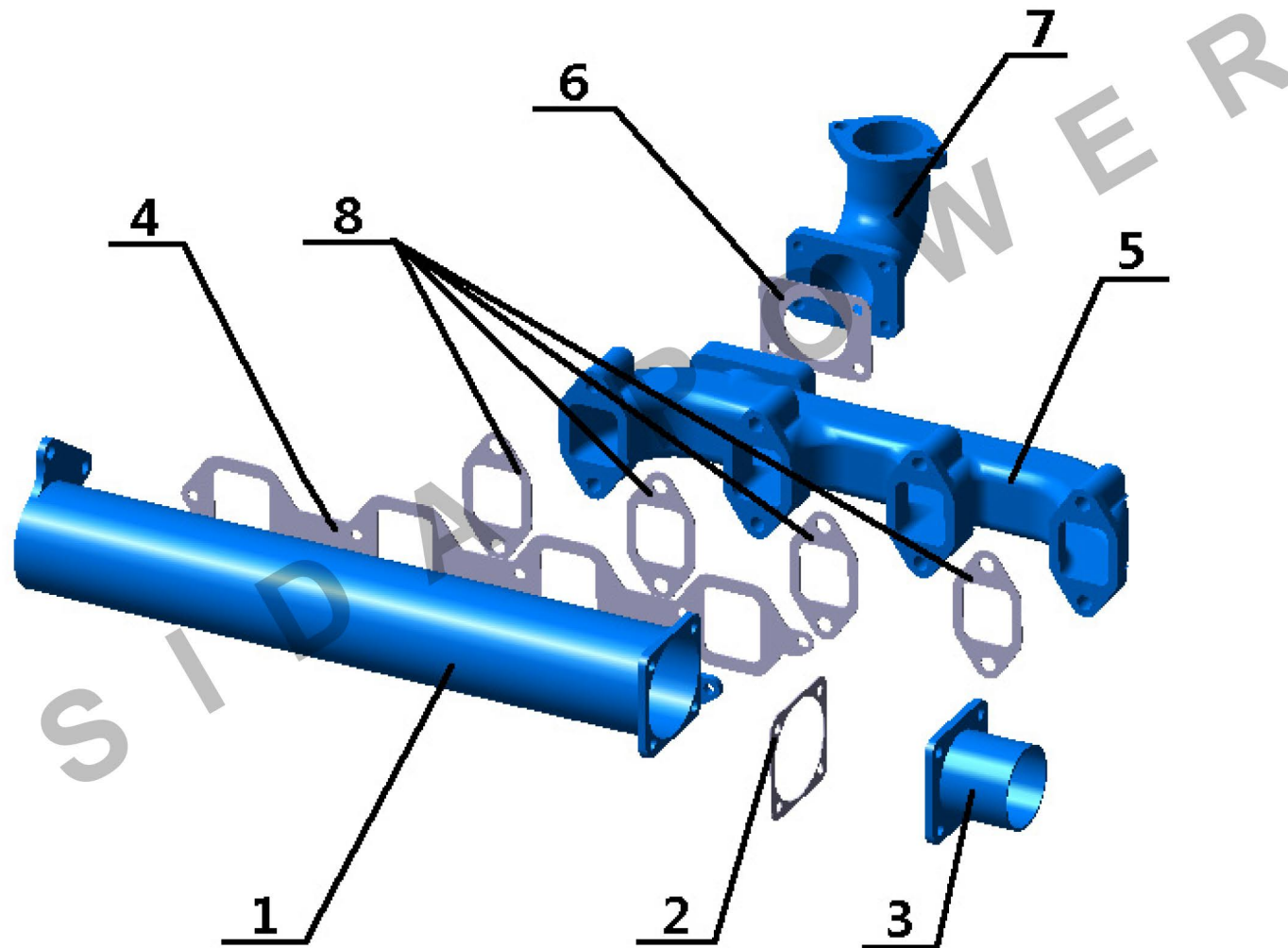


传动系统

序号 NO.	部件代号 Code	部件名称 Name	数量 Qty.	适用车型 Vehicle model	备注 Remarks
1	1005084L_Q	曲轴正时齿轮 Crankshaft timing gear	1		
2	1006021L_Q	凸轮轴齿轮 Camshaft gear	1		
3	1006022_Q	凸轮轴压板 Cam shaft	1		
4	1006023_Q	凸轮轴齿轮压板螺栓 Camshaft gear clamp bolt	1		
5	1006045L_Q	正时惰齿轮总成 Timing Inert Gear Assembly	1		
6	1006048_Q	正时惰齿轮轴 Timing inert gear shaft	1		
7	1006049_Q	正时惰齿轮压板 Timing Inert Gear Press Plate	1		
7-1	Q150B1060	六角头螺栓 Hexagon headed bolt	2		1006049_Q
7-2	Q40310	弹簧垫圈 Spring washer	2		1006049_Q
8	1111216-1_QT	喷油泵驱动齿轮 Fuel injection pump drive gear	1		

## 7. 进、排气管组件

Intake and Exhaust Manifold Assy.

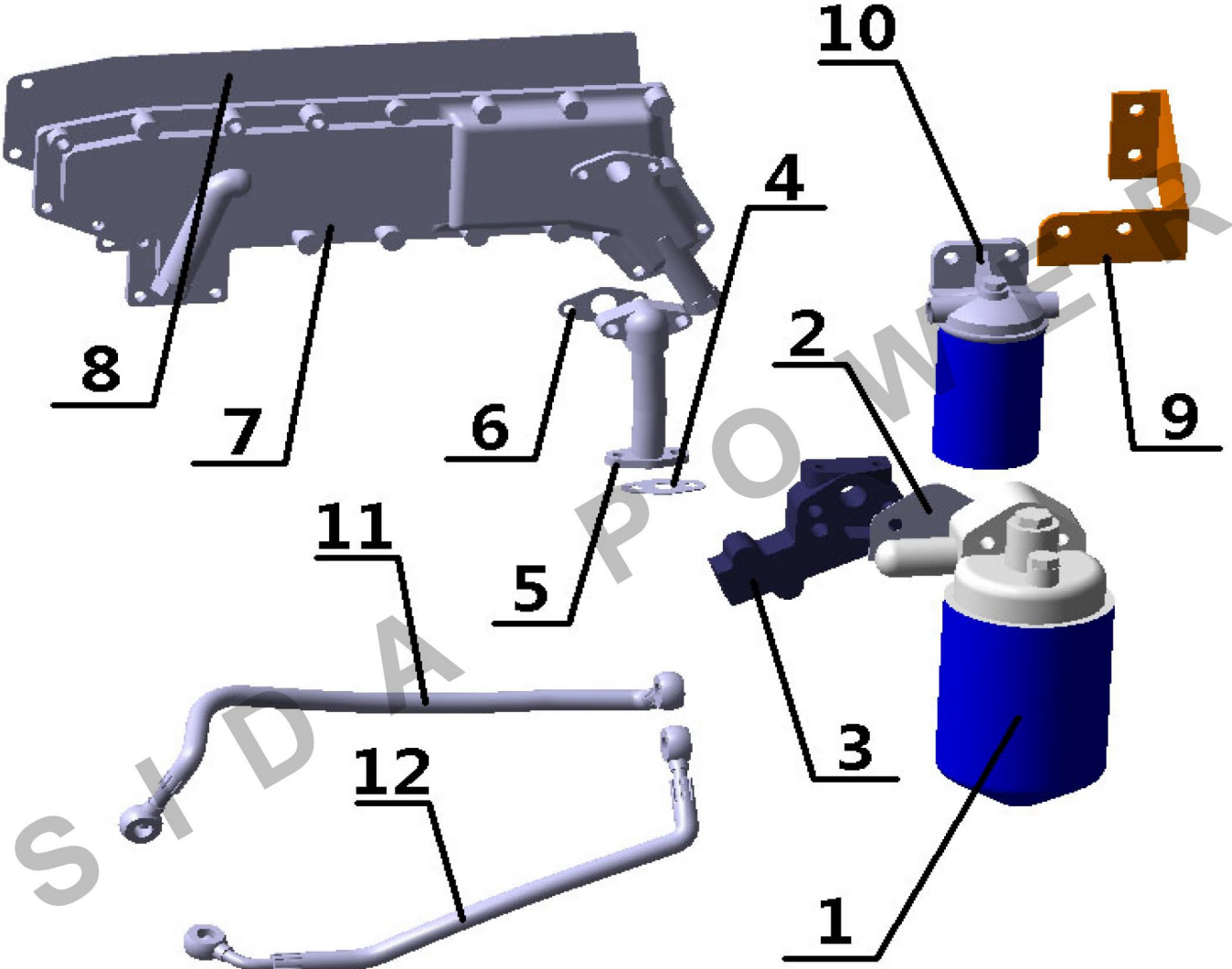


进排气管组件

序号 NO.	部件代号 Code	部件名称 Name	数量 Qty.	适用车型 Vehicle model	备注 Remarks
1	1008016-1_Q55L-71	进气歧管 Intake manifold	1		
1-1	Q1420825	六角头组合螺栓 Hexagonal head combined bolt	6		1008016-1_Q55L-71
2	1008019_Q	进气接管垫片 Inlet nozzle gasket	1		
3	1008017-3_WK	进气接管 Intake connecting pipe	1		
3-1	Q1420825	六角头组合螺栓 Hexagonal head combined bolt	3		1008017-3_WK
4	1008017H-1_Q	进气歧管垫片 Intake manifold Gasket	1		
5	1008042-1_QY-06A	排气歧管 Exhaust manifold	1		
5-1	Q1201030	双头螺柱 Double-headed stud	2		1008042-1_QY-06A
5-2	Q1201060	双头螺柱 Double-headed stud	6		1008042-1_QY-06A
5-3	Q340B10	六角头螺母 Hexagon head nut	8		1008042-1_QY-06A
6	1008046-1_W	排气接管垫片 Exhaust Union Manifold Gasket	1		
7	1008043_MD	排气接管 Exhaust nozzle	1		
8	1008045_Q	排气歧管垫片 Exhaust Manifold Gasket	1		
8-1	Q1200825	双头螺柱 Double-headed stud	4		1008045_Q
8-2	Q340B08	六角头螺母 Hexagon head nut	4		1008045_Q

8. 润滑系统总成  
Lubricating System Assy

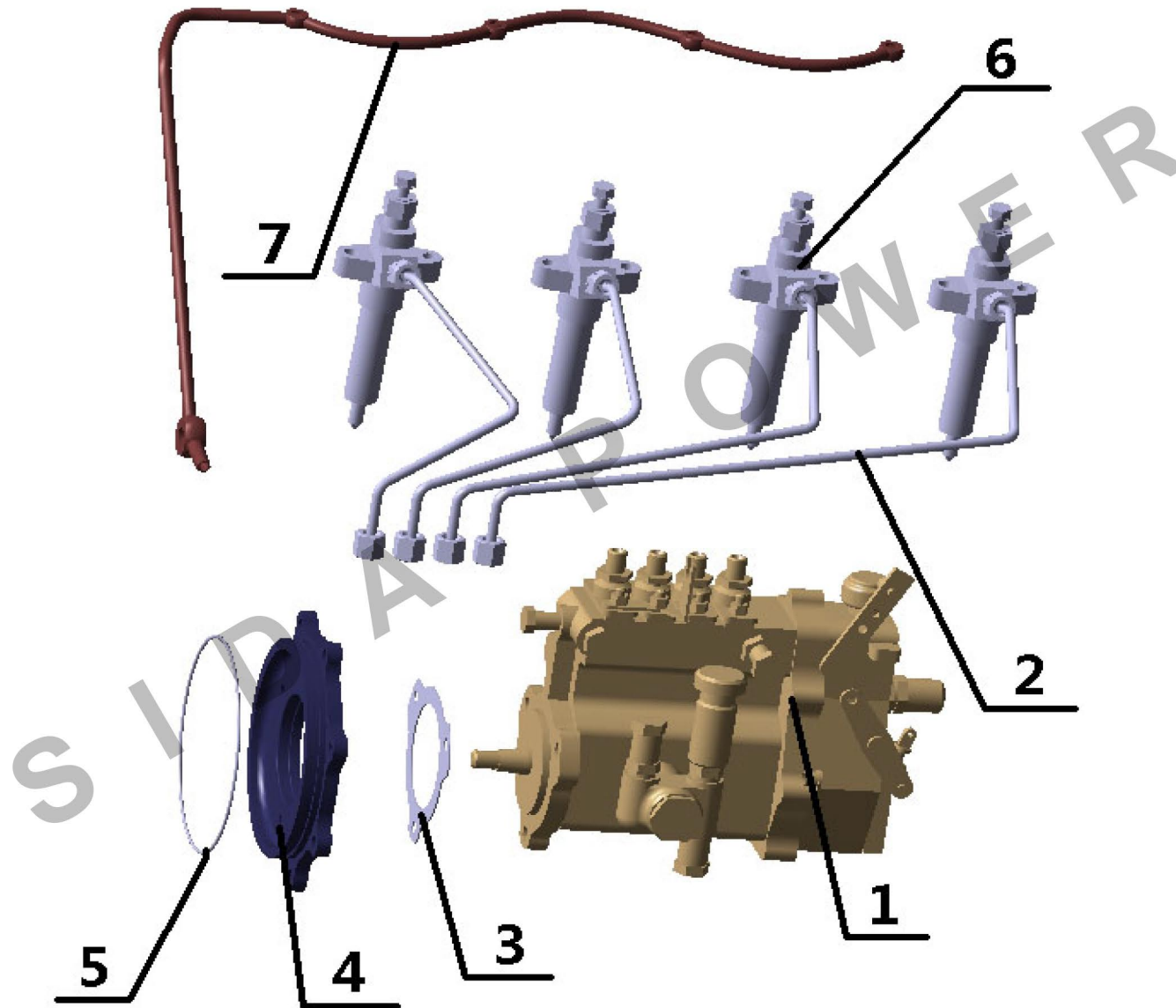
SIDA POWER



润滑系统

序号 NO.	部件代号 Code	部件名称 Name	数量 Qty.	适用车型 Vehicle model	备注 Remarks
1	1012010-4_Q78L-72	机油滤清器总成	Lubricating oil filter assy	1	
2	1012003S_Q78L-72	机滤座垫片	Machine filter water inlet pipe	1	
3	1012016_Q78L-72	机油滤清器垫块总成	Oil filter pad assembly	1	
3-1	Q1461275	六角头螺栓	Six hexagon head flange bolts	1	1012016_Q78L-72
3-2	Q1460855	六角头螺栓	Six hexagon head flange bolts	2	1012016_Q78L-72
3-3	Q1461295	六角头螺栓	Six hexagon head flange bolts	1	1012016_Q78L-72
4	1011016_Q	垫片	Shim	1	
4-1	Q1460840	六角头螺栓	Six hexagon head flange bolts	2	1013015-1_Q
5	1013015-1_Q	进油管总成	Intake Pipe Assembly	1	
6	1013019_Q	垫片	Shim	1	
6-1	Q1460840	六角头螺栓	Six hexagon head flange bolts	2	1013015-1_Q
7	1013010S_Q78L-72	机油冷却器	Oil cooler	1	
8	1013013_Q	机油冷却器垫片	Oil cooler gasket	1	
8-1	Q1460835	六角头螺栓	Six hexagon head flange bolts	9	1013013_Q
8-2	Q1460825	六角头螺栓	Six hexagon head flange bolts	11	1013013_Q
9	1117001S1_QZ	柴滤支架	Firewood filter support	1	
9-1	Q1461020	六角头螺栓	Six hexagon head flange bolts	2	1117001S1_QZ
10	1117000_Q	柴滤总成	Firewood filter assembly	1	
10-1	Q1461030	六角头螺栓	Six hexagon head flange bolts	2	1117000_Q
11	1104030_Q90-100A	燃油管总成	Fuel Pipe Assembly	1	
12	1104040_Q90-100A	燃油管总成	Fuel Pipe Assembly	1	

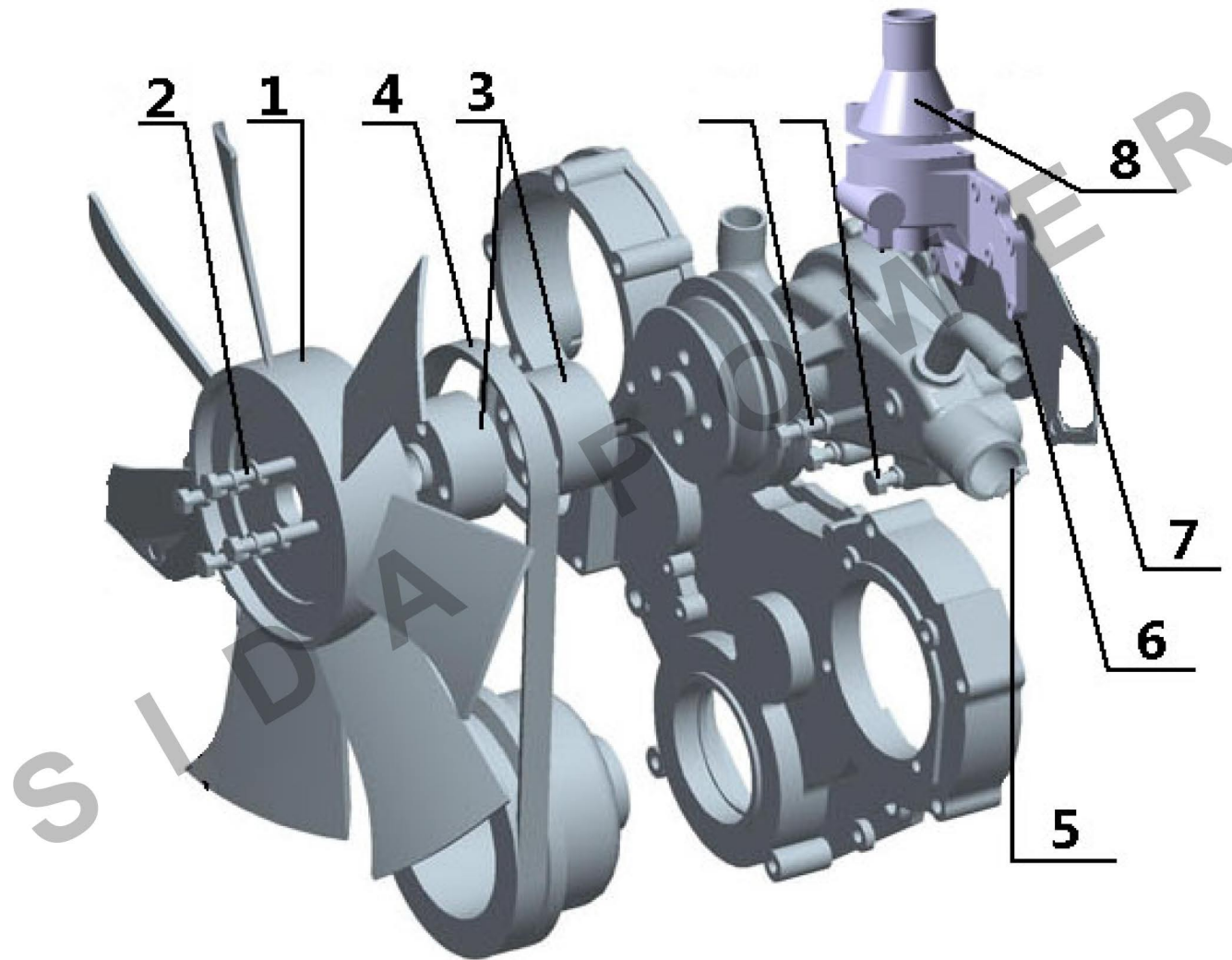
9. 燃油系统总成  
Fuel System Assy



燃油系统

序号 NO.	部件代号 Code	部件名称 Name	数量 Qty.	适用车型 Vehicle model	备注 Remarks
1	1111000H_Q38D	喷油泵总成	Fuel injection pump assembly	1	
1-1	1111014-1_MD	喷油泵螺母	Injection pump nut	1	1111000H_Q38D
1-2	Q1201030F2S	双头螺柱	Double-headed stud	3	1111000H_Q38D
1-3	Q340B10	六角头螺母	Hexagon head nut	3	1111000H_Q38D
1-4	Q40110	平垫圈	Flat washer	3	1111000H_Q38D
1-5	Q40310	弹簧垫圈	Spring washer	3	1111000H_Q38D
2	1129010/15/20/25_Q38D	高压油管总成	High pressure oil pipe assembly	1	
2-1	1129040_M	高压油管夹子（一）	High pressure tubing clamp1	1	1129010/15/20/25_Q38D
2-2	1129045_M	高压油管夹子（二）	High pressure tubing clamp2	1	1129010/15/20/25_Q38D
2-3	1129050_M	高压油管夹子（三）	High pressure tubing clamp3	1	1129010/15/20/25_Q38D
2-4	Q1460616	六角头螺栓	Hexagon headed bolt	3	1129010/15/20/25_Q38D
3	1111012_MD	喷油泵垫片	Injection pump gasket	1	
4	1111011_Q38D	喷油泵垫块	Injection pump gasket	1	
5	1111014_Q	O型圈	O type circle	1	
6	1112000T_Q	喷油器总成	Fuel injection assy	4	
6-1	1003051-1_AM	双头螺柱	Double-headed stud	8	1112000T_Q
6-2	Q340B08	六角头螺母	Hexagon head nut	8	1112000T_Q
6-3	Q40108	平垫圈	Flat washer	8	1112000T_Q
6-4	Q40308	弹簧垫圈	Spring washer	8	1112000T_Q
7	1104050-2_Q38D	喷油体回油管总成	Fuel injector return oil pipe assy	1	

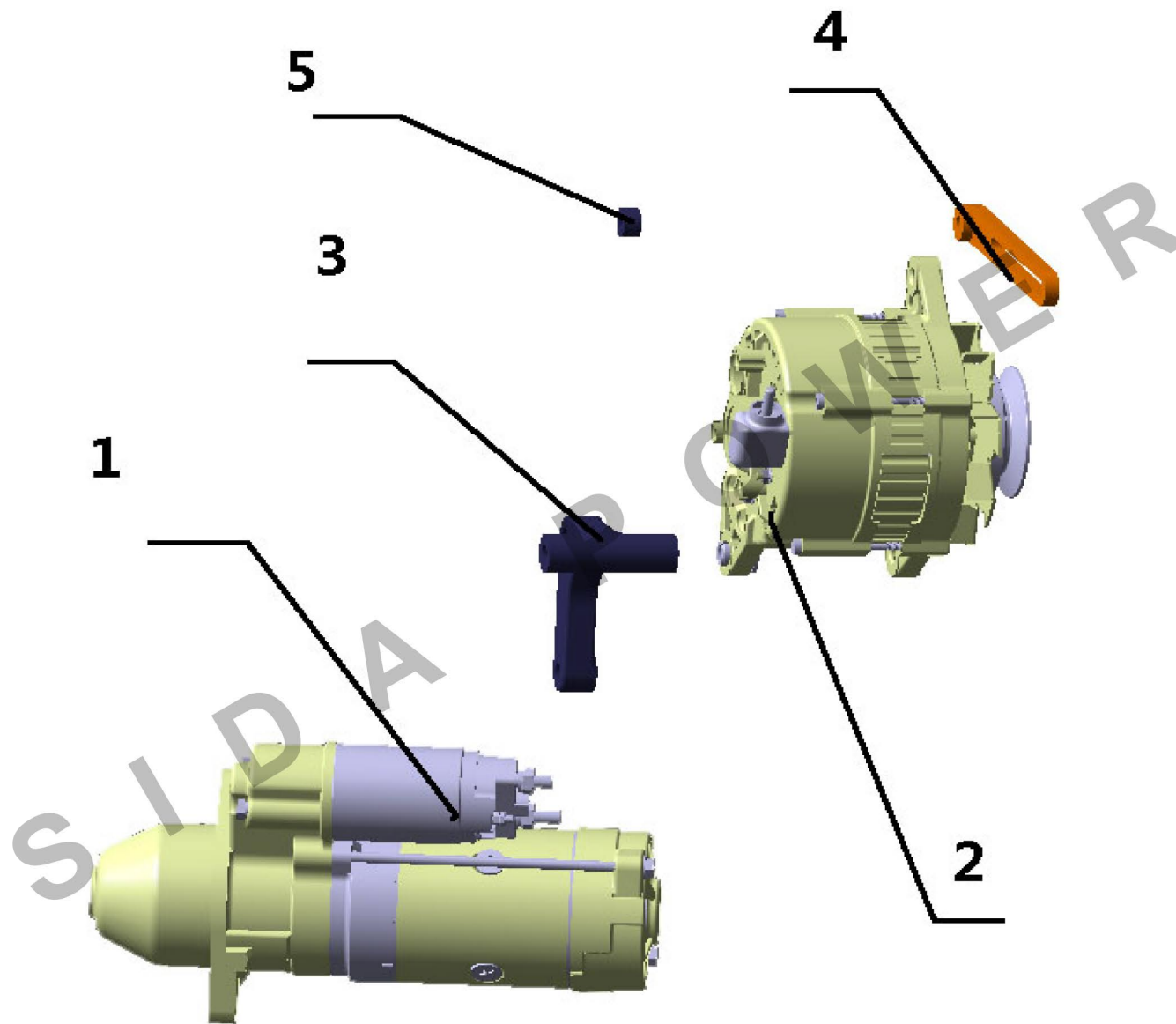
10. 冷却系统总成  
Cooling System Assy.



冷却系统

序号 NO.	部件代号 Code	部件名称 Name	数量 Qty.	适用车型 Vehicle model	备注 Remarks
1	1308010N_MG-01C	风扇总成 Fan assembly	1		
2	Q1460850	六角头法兰面螺栓 Six hexagon head flange bolts	4		
3	1308047N_M60-02S	风扇垫块 Fan Pad	1		
4	3509011_QY-06	风扇皮带 Fan belt	1		
5	1307010_Q38D	水泵总成 Water pump assy	1		
5-1	Q1461055	六角头螺栓 Hexagon headed bolt	1		1307010_Q38D
5-2	Q1461065	六角头螺栓 Hexagon headed bolt	3		1307010_Q38D
6	1306011_Q38D	节温器壳 Thermostat housing	1		
7	1307012_Q	水泵垫片 Water Pump Gasket	1		
8	1306013-1_BMT	节温器盖 Thermostat cover	1		
8-1	1306014_Q	节温器盖垫片 Thermostat Cover Gasket	1		1306013-1_BMT
8-2	Q1460825	六角头螺栓 Hexagon headed bolt	8		1306013-1_BMT
8-3	Q618B03	六角头锥形螺塞 Hexagonal head tapered plug	1		1306013-1_BMT

11. 电气系统总成  
Electric System Assy.



电气系统（电器部分）

序号 NO.	部件代号 Code	部件名称 Name	数量 Qty.	适用车型 Vehicle model	备注 Remarks
1	3708010H-1_BMT	起动机总成 Starter assy	1		
1-1	Q1841230	六角头法兰面螺栓 Six hexagon head flange bolts	2		3708010H-1_BMT
1-2	Q340B12	I型六角头螺母 Hexagon-headed bolt, style I	2		3708010H-1_BMT
1-3	Q40112	平垫圈 Washer	2		3708010H-1_BMT
1-4	Q40312	弹簧垫圈 Spring washer	2		3708010H-1_BMT
2	3701010E_Q38D-511	发电机总成 Alternator assy	1		
3	3701021-1_QL-72	发电机支架 Generator support	1		
3-1	Q14610115	六角头螺栓 Six hexagon head flange bolts	1		3701021-1_QL-72
3-2	Q1461070	六角头螺栓 Six hexagon head flange bolts	2		3701021-1_QL-72
4	3701325/WA	连接板总成 Connecting Plate Assembly	1		
5	3701328_BWF-17A	撑管 Bracing tube	1		
5-1	3701321-1/WA	钢管 Bracing tube	1		3701321-1/WA
5-2	Q1460885	六角头螺栓 Six hexagon head flange bolts	1		3701321-1/WA